

---

A2

2019.03

---

-\$ <

..... 1

..... 2

..... 3

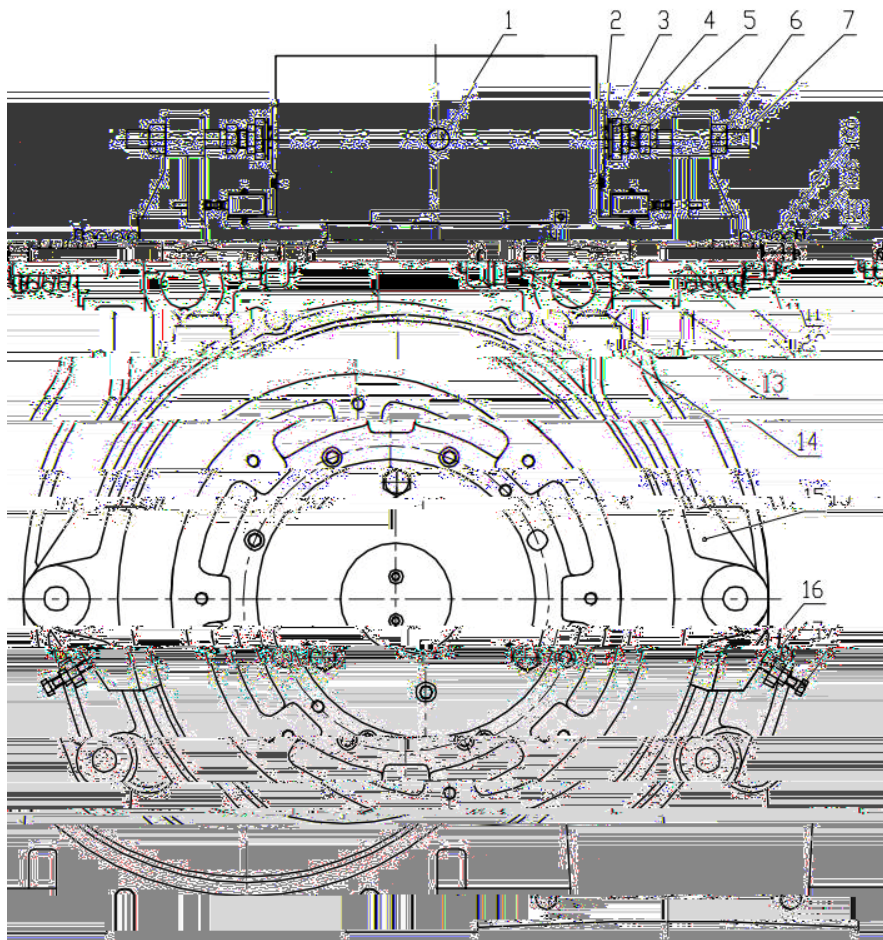
..... 5

..... 6

..... 8







1

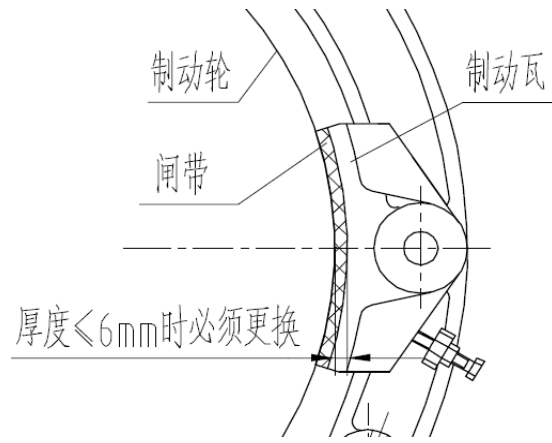
2

3

4

6mm

1.6

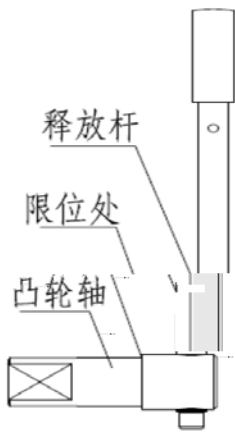


1.6

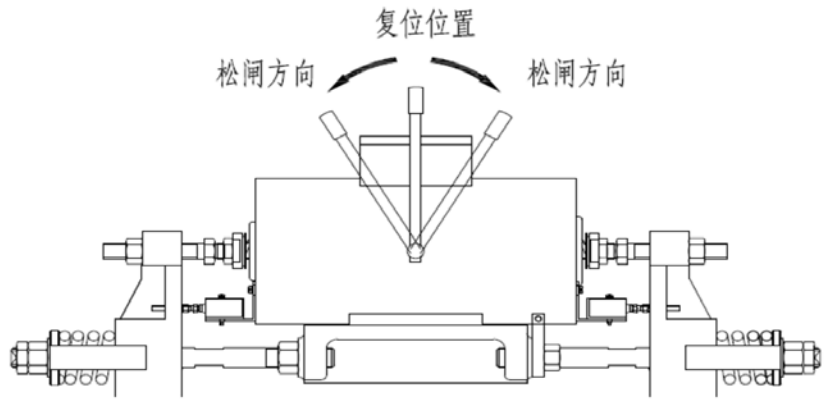
1

1.7

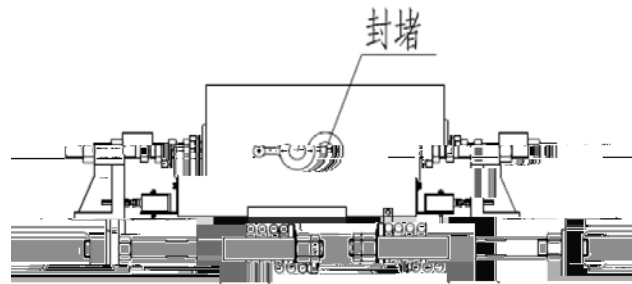




1.7



1.8



1.9

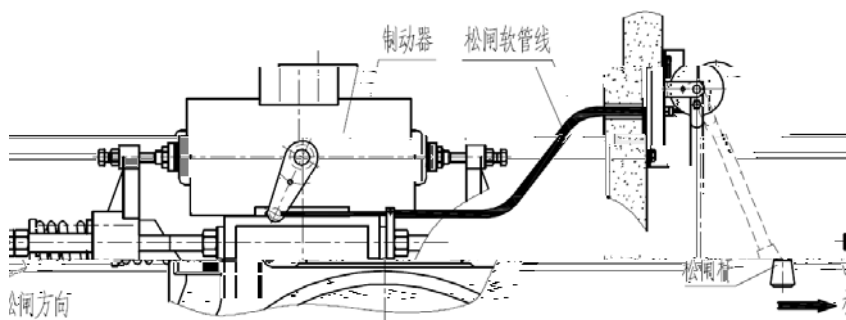
2

2.0

1

2

250mm



2.0

1

2

3

4

1.9

5

6

7